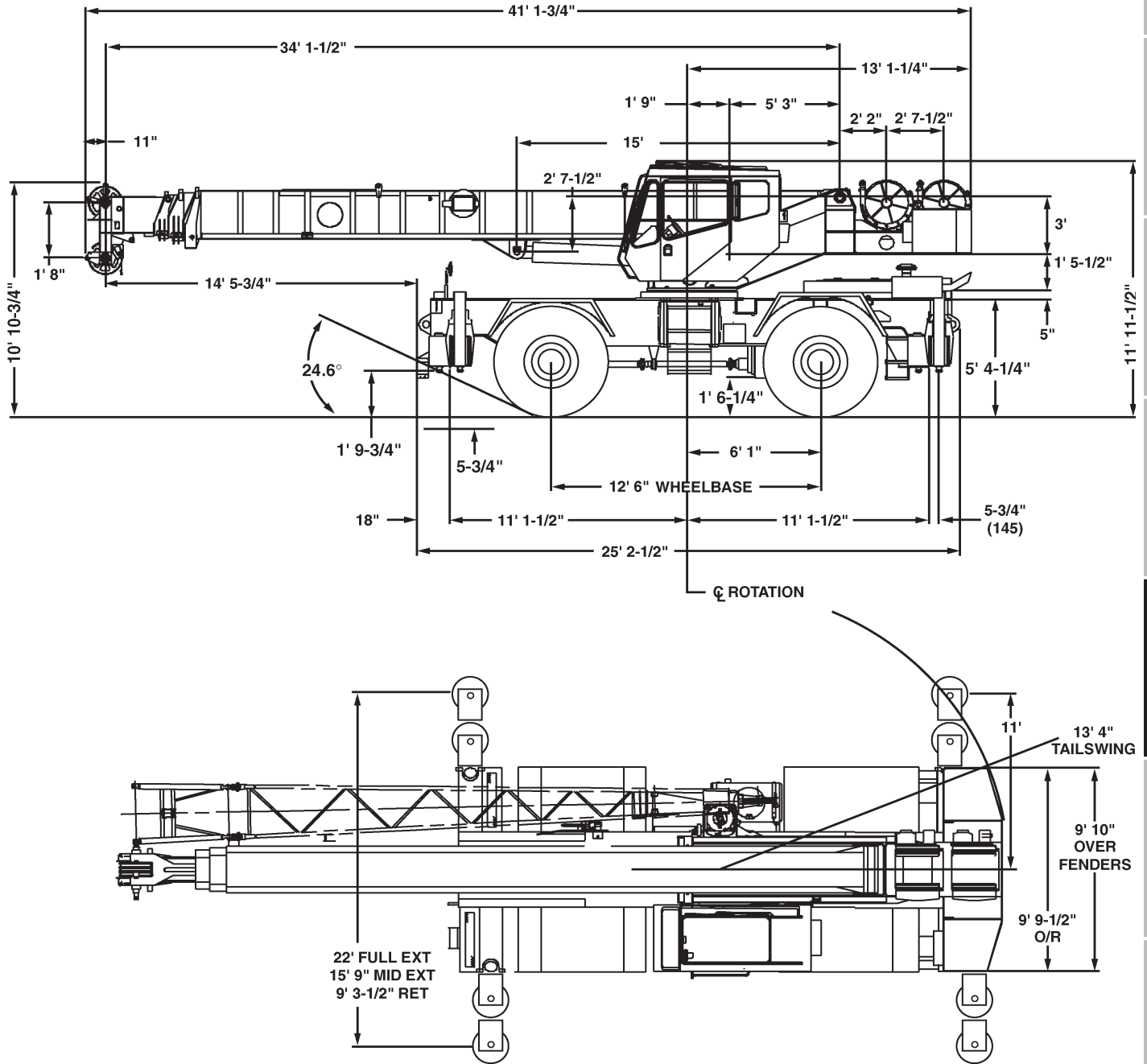


All information given are for reference only.



All Terrain Cranes

Hydraulic Truck Cranes

Boom Trucks

Carry Decks

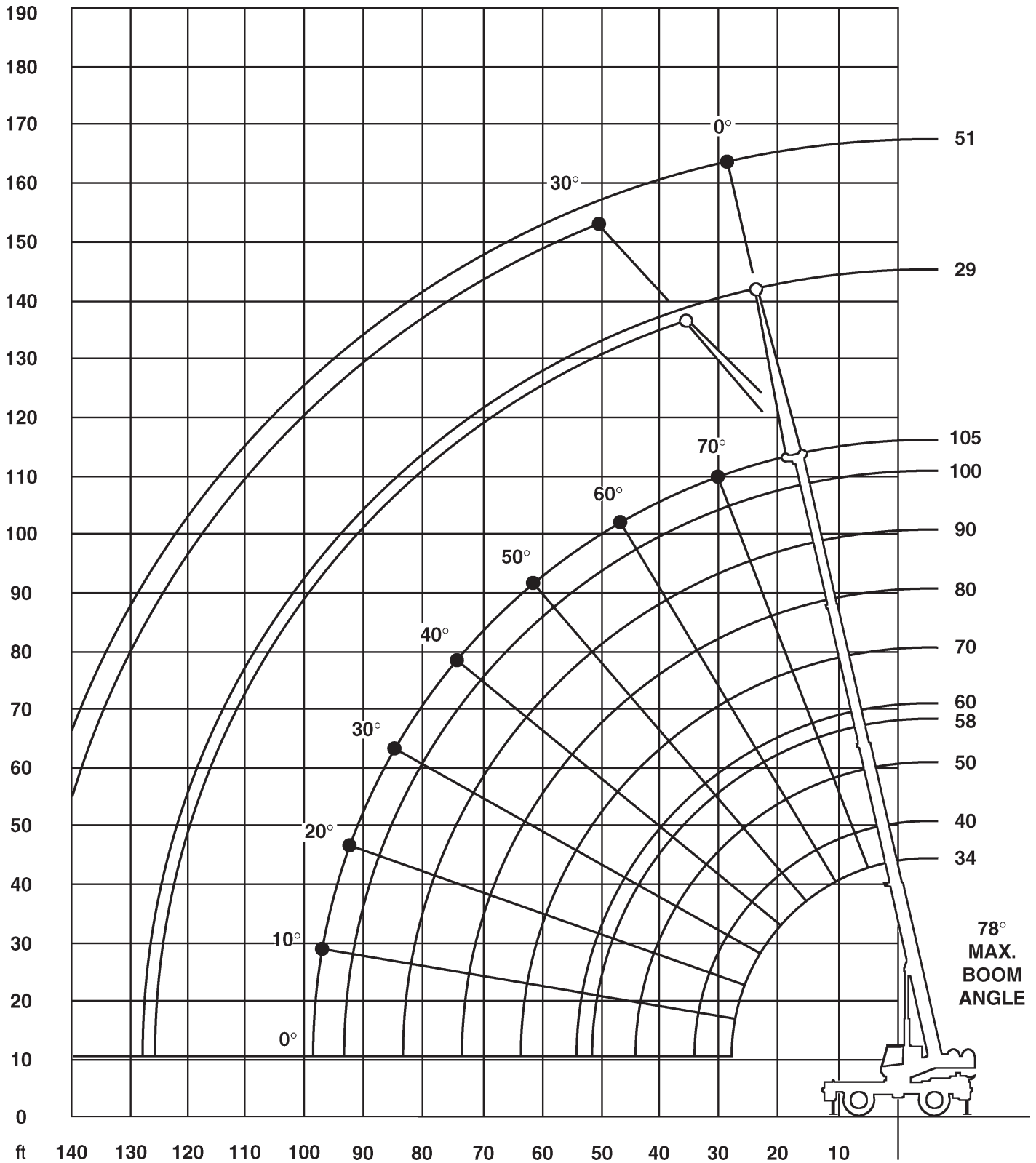
Rough Terrain Cranes

Crawler Cranes

Tower Cranes

General Information

**35 t**




**10,37-32 M**

**2,65 TH**

**6,80x6,7**

**360°**
**85**
**85%**

M	10,37	12,2	15,25	17,7	18,3	21,35	24,4	27,45	30,5	32,0	M
3,05	31,75	30,35	26,6	20,20	13,29						
3,66	30,88	29,00	24,95	20,20	13,29	13,29					
4,58	26,80	26,15	21,77	18,82	13,29	13,29					
6,10	20,82	20,62	17,46	16,28	13,29	13,29	13,29	12,25			
7,63	16,13	16,00	14,70	13,83	13,29	12,68	11,95	10,25	8,40	7,19	
9,15		12,32	12,00	11,59	11,48	10,89	10,41	9,20	7,48	7,19	
10,68			8,87	8,67	8,78	9,16	9,07	8,14	6,71	6,51	
12,20			6,80	6,65	6,74	7,10	7,46	7,26	6,1	5,83	
13,73				5,22	5,28	5,62	5,94	6,10	5,67	5,24	
15,25				4,16	4,23	4,54	4,83	4,97	5,13	4,72	
16,78				6,65		3,70	3,98	4,12	4,26	4,29	
18,30				5,22		3,04	3,29	3,43	3,57	3,64	
19,83				4,16				2,73	2,87	3,0	3,08
21,35							2,26	2,40	2,54	2,61	
22,88								2,02	2,15	2,22	
24,40								1,70	1,82	1,88	
25,93									1,54	1,59	
27,45									1,28	1,34	
28,98										1,12	

\*58 ft. boom length is with inner-mid extended and outer-mid & fly retracted.

All information given are for reference only.

# Rough Terrain Cranes

Grove RT 635 C



**35 t**



32 M



8,8 M



2,65 TH



6,80x6,70



360°

**85**

85%

M	29	
	0°	30°
9,15	4,25	
10,67	4,06	
12,20	3,90	2,43
13,72	3,56	2,34
15,25	3,27	2,25
16,77	2,99	2,16
18,30	2,70	2,14
19,80	2,43	2,11
21,35	2,18	2,09
22,87	1,97	2,06
24,40	1,77	1,89
25,92	1,59	1,66
27,45	1,43	1,48
28,97	1,29	1,30
30,50	1,10	1,1
32,02	0,91	0,90
33,55	0,75	0,75